

0.8 Amp, 2 Amp and 4 Amp SCRs in a SOT-223



CZS5064 and CS223 Series

features

- 400 Volts (CZS5064)
- 600 and 800 Volts (CS223-2 Series CS223-4 Series)
- Low 1.8mm profile (23% lower than DPAK)
- Utilizes 28% less board space than an industry standard DPAK

description

The CENTRAL SEMICONDUCTOR CZS5064 (0.8 Amp), CS223-2M series (2 Amp), and CS223-4M series (4 Amp) types are Epoxy Molded Silicon Controlled Rectifiers designed for sensing circuit applications and control systems. The small size and low profile of these SOT-223 devices are perfect for designs with a limited board space or height requirements.

For information on these devices or any other thyristors manufactured by Central™, visit: www.centrasemi.com/thyristors

Sample Devices available upon request.



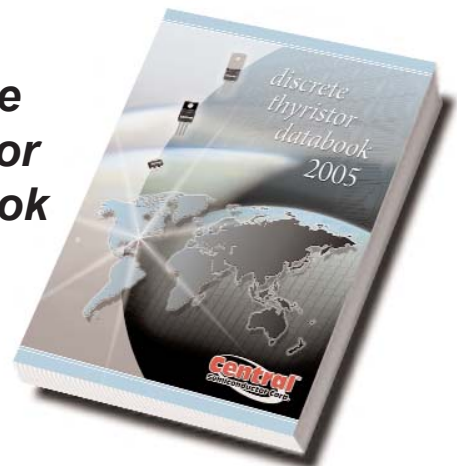
selection guide

With Central you're not limited to just 0.8 amp in a SOT-223.

		Extended Range	
I_T (AMPS)	0.8	2.0	4.0
@ T_C (°C)	25	60	85
I_{TSM} (AMPS)	10	10	30
V_{DRM}, V_{RRM} (VOLTS)			
400	CZS5064		
600		CS223-2M	CS223-4M
800		CS223-2N*	CS223-4N*
I_{GT}	200μA	200μA	200μA
V_{GT}	0.8V	0.8V	0.8V
I_H	5.0mA	2.0mA	2.0mA

* 800 volt devices are available on request. Please consult factory.

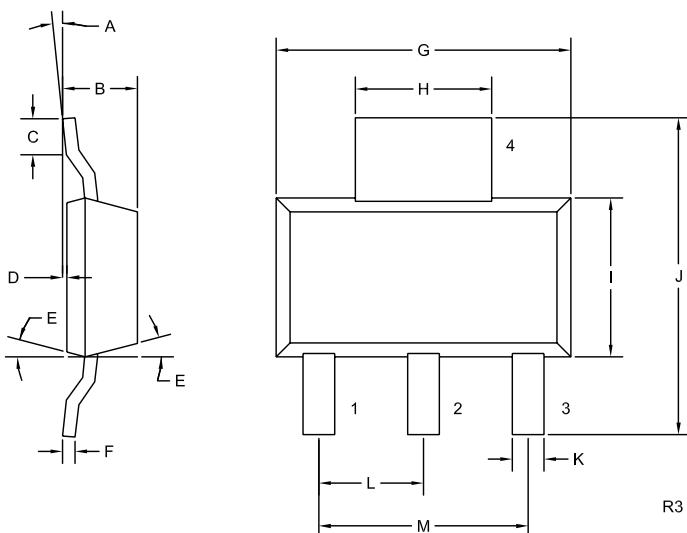
2005 Discrete Thyristor Databook



To order please visit: www.centrasemi.com/catalog

0.8 Amp, 2 Amp and 4 Amp SCRs in a SOT-223

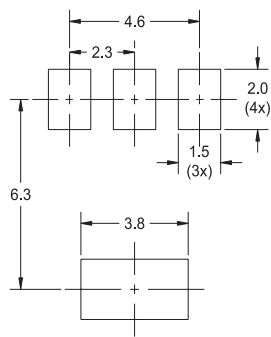
Mechanical Specifications - SOT-223



SYMBOL	INCHES		MILLIMETERS	
	MIN	MAX	MIN	MAX
A	0°	10°	0°	10°
B	0.059	0.071	1.50	1.80
C	0.018	---	0.45	---
D	0.000	0.004	0.00	0.10
E	15°		15°	
F	0.009	0.014	0.23	0.35
G	0.248	0.264	6.30	6.70
H	0.114	0.122	2.90	3.10
I	0.130	0.146	3.30	3.70
J	0.264	0.287	6.70	7.30
K	0.024	0.033	0.60	0.85
L	0.091		2.30	
M	0.181		4.60	

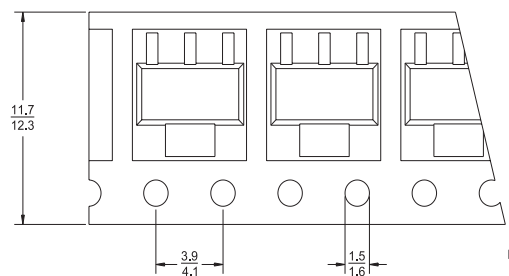
SOT-223 (REV: R3)

Mounting Pad Geometry (Dimensions in mm)



Tape Dimensions and Orientation (Dimensions in mm)

Tape Width:
12mm



* Devices are taped in accordance with Electronic Industries Association Standard EIA-481-1-A

Direction of Unreeling

Packaging Base

- 7" Reel = 1,000 pcs. (add TR suffix to part number)
- 13" Reel = 4,000 pcs. (add TR13 suffix to part number)
- Bulk = 250 pcs. (add BK suffix to part number)

Lead Code:

- 1) CATHODE 2) ANODE
- 3) GATE 4) ANODE

Ordering Information

- For devices taped and reeled on 7" reels, add TR suffix to part number.
- For devices taped and reeled on 13" reels, add TR13 suffix to part number.
- For devices bulk packed, add BK suffix to part number.
- All SMDs are available bulk packed, for prototype and manual placement applications.

For more information on this product please visit our website at www.centrasemi.com

CentralTM
Semiconductor Corp.

*Innovations in Discrete
Semiconductors*

For further information contact:
Sales at Central Semiconductor Corp.
(631) 435-1110 or visit our website at:
www.centrasemi.com

145 Adams Avenue • Hauppauge • New York • 11788 • USA • Tel:(631) 435-1110 • Fax: (631) 435-1824

PA SOT-223 SCR